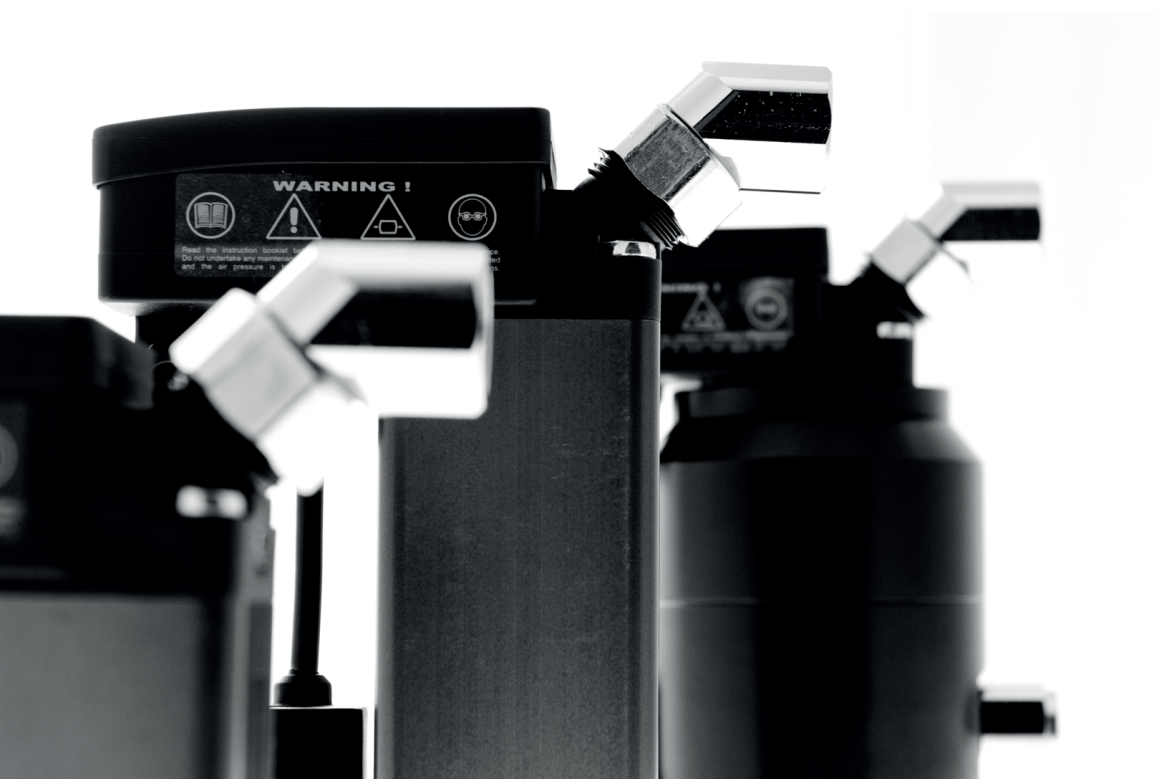


SCB

CONDENSATE
DRAIN[®]
TECHNOLOGIES

A complete range of condensate drains





SCB

SCB represents **technical ability** and an attentive look at the market allows the company to guarantee a **constant growth**.

Content

	4 Guardrain		6 Logidrain 100
8 Logidrain		18 Autodrain	
	20 Timedrain		22 Climate areas
23 Selection Overview		24 Sepdrain	
	26 HTD High Pressure Timer Drain		28 CTD Compact Timer drain
29 MFD Mechanical Float Drain		30 Service Kit Accessories	



GUARDRAIN

It makes the condensate treatment plant intelligent by monitoring the operation of the entire system.

It makes predictive diagnoses and signals the onset of problems by communicating the anomaly to the servicing people in charge.

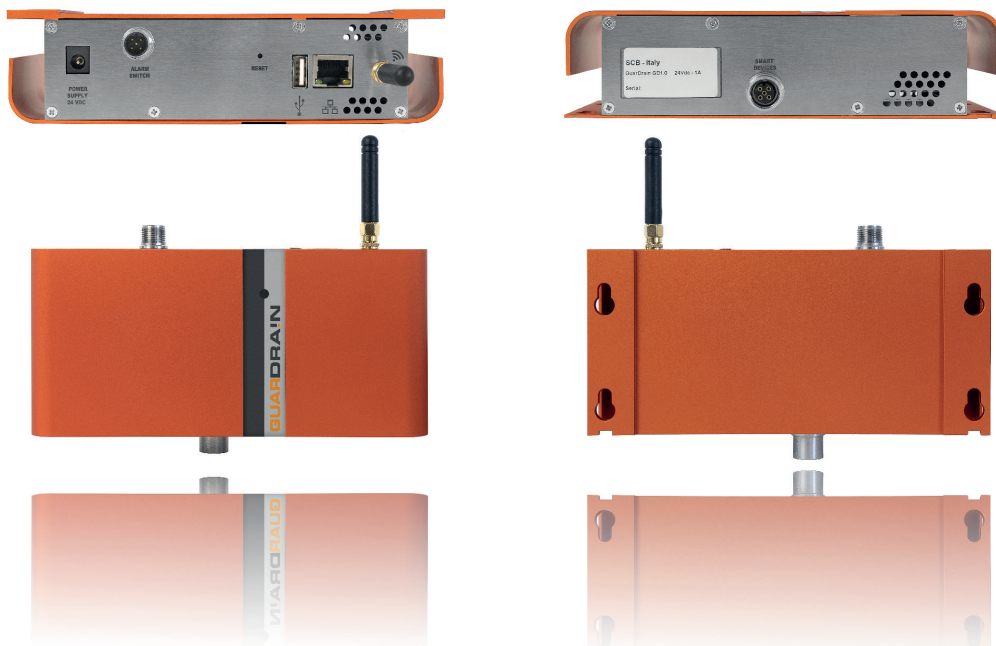
Guardrain is an IoT device capable of connecting the condensate drains installed on board of compressed air systems, making them surprisingly intelligent.

Easy to install and configure, **Guardrain** allows to moderate the communication within and outside the system and monitor its global efficiency, thus offering a detailed system's situation in real time.

Guardrain allows to diagnose in a predictive way the occurrence of anomalous events or malfunctioning of the elements inside the system and notify them to the user.

Guardrain allows considerable savings both during installation and during use, avoiding inefficiencies and system downtime.

Guardrain can work with the whole range of **SMART** condensate drains (LD100S - LD200S - LD203S)



RANGE
SMART



Power and Technical data

Power supply	Power supply	24V dc
	Max. consumption (Peak)	40 W
	Min. consumption (Standby)	4 W
Temperature	Working temperature	+1/+60 °C
Processor	CPU	ARM cortex - A7 Quad-core 1.2 GHz
Memory	RAM	256MB DDR3 SDRAM
	HD	1 micro SD 8GB
I/O interfaces	Ethernet	1 x 10/100 Mbps - RJ45
	USB	1x Host 2.0
	CAN	1 x can bus M12 5 pin female A-Type
	Alarm	1 x contact bus NO/NC, M12 5 pin male B-Type
Radio interfaces	Wi-Fi	IEEE 802.11 b/g/n
Other	RTC	Yes
	LED	Supply /LED status
	Sensors	Temperature, Humidity, Pressure
	Key	1 x Reset
Certifications	Regulations & Standards	EC
Mechanical	Case	Material: Anodized Aluminium - Color: Orange
	Weight (g.)	522
	Sizes (Lenght/Depht/Height)	180x47x83
Code	95-100	

LOGIDRAIN 100

«ZERO-LOSS» drain system.
No wastage of compressed air.

Compact design,
minimal space required.

Optimal price-
performance ratio.

Adjustable to different power
supply voltages.

Integrated filter
to collect contaminations.
Easy to clean and maintain.

FKM (fluoroelastomer)
diaphragm.

Electronic condensate drains

LogiDrain 100 is an innovative system of automatic condensate drainage, designed to apply on compressors, aftercoolers, dryers and filters.

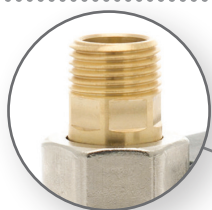
LogiDrain 100 integrates all the solutions suited to guarantee the drain operation without clogging or waste of compressed air by using a highly reliable level sensor, a large orifice with a servo controlled fluoroelastomeric diaphragm and an integrated stainless steel filter to hold impurities. Easy to clean and maintain.

LogiDrain 100 is extremely easy to install, even in very small spaces thanks to its compact size and user-friendly “Easy Lock” connection system. It is possible to realize various connection systems to fit the product at each specific application: in this way you can optimize the installation and at the same time minimize handling costs.

Available in **SMART** version which fits for the Guardrain



LD100



• Easy-lock connection



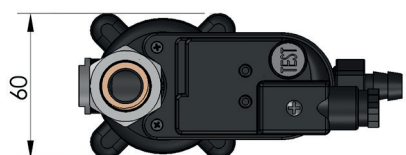
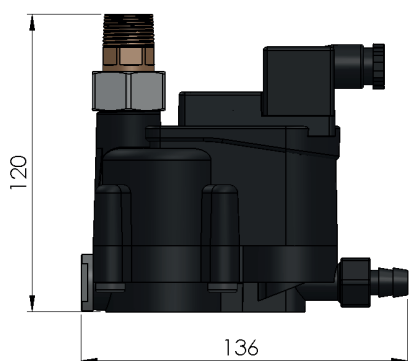
• Hose holder with flow limiter



• Integrated filter to collect contamination

SMART LD100S

LD100	230 V	115 V	115 V UL	24 V	24 Vdc	24 Vdc
Power supply ($\pm 10\%$)	230 V (50/60 Hz)	115 V (50/60 Hz)	115 V (50/60 Hz)	24 V (50/60 Hz)	24 V (50/60 Hz)	24 V (50/60 Hz)
Power consumption (during drainage)	10 VA					3 VA
Operating pressure	0,2-16 bar					0,2-16 bar
Operating temperature	+1/+60 °C					+1/+60 °C
Protection class	IP65 (with connector and correctly assembled basket)					IP65 (with connector and correctly assembled basket)
Electrical connection	EN 175301-803 Type B (ex DIN 43650) (Supplied)					M12 Code A 5 Poles (Not supplied)
Nominal flow rate (m ³ /min) (1)	3					3
Nominal discharge (t/h)	2					2
Maximum discharge (t/h)	5					5
Maximum compressor capacity (m ³ /min)	3					3
Maximum dryer capacity (m ³ /min)	6					6
Maximum filter capacity (m ³ /min)	30					30
Inlet connection	1 x R1/2" M (ISO7)	1 x R1/2" M NPT		1 x R1/2" M (ISO7)	1 x R1/2" M (ISO7)	
Outlet connection (with flow limiter)	1 x $\varnothing 12$					1 x $\varnothing 12$
Weight (kg)	0,4					0,4
Receiver volume (l)	0,06					0,06
Certificates	CE		CE + UL	CE		CE
Code	15-152	15-151	15-155	15-153	15-154	15-170



(1) = Data refer to 1000 mbar(a), 20° C and 60% relative humidity. Operating pressure 7 bar and outlet temperature of the aftercooler 35° C.

LOGIDRAIN

«ZERO-LOSS» drain system.

No wastage of compressed air.

«revolving Easy-lock» connection,

adjustable for vertical and/or

horizontal connections.

Integrated filter to collect

contaminated condensate.

Easy to clean and maintain.

FKM (fluoroelastomer) diaphragm.

Remote alarm connection.

Available in different

supply voltages.

Hard coated receiver resistant to

more aggressive condensates.

Electronic condensate drain with digital level control

The new series of **LogiDrain** level drains has been designed to solve the problem of condensation water drainage from production plants and compressed air distribution systems. The specific technology applied permits a controlled drainage of condensation water without any compressed air leaks.

LogiDrain is equipped with an integrated storage receiver inside which a level sensor has been mounted and is controlled by an intelligent electronic circuit. All drain functions are displayed on a control panel. A test button is available on the control panel for manual drainage.

LogiDrain starts working as soon as a sensor detects water at max. level and controls the opening of the solenoid valve in order to take the water level back down to a minimum value, leaving a small residual quantity to prevent the system from discharging compressed air. In case of trouble, the control circuit unlocks the drain pipes by carrying out a series of forced opening/closing cycles of the solenoid valve. If this is not enough, the problem is reported outside by an alarm with potential-free contact that can be used to draw the attention of maintenance staff in order to instruct the plant control logic.

LogiDrain is produced in several models with different flow rates. All versions are suitable for working with any type of condensation water even the most aggressive one or water containing a high percentage of oil. A built-in cup of filter, that is easy to clean, prevents the solenoid valve from clogging.

LD200L and LD203 models available in SMART version which fits for the Guardrain.



LD101
COMPACT



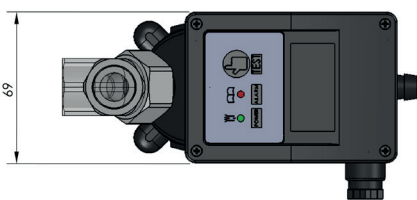
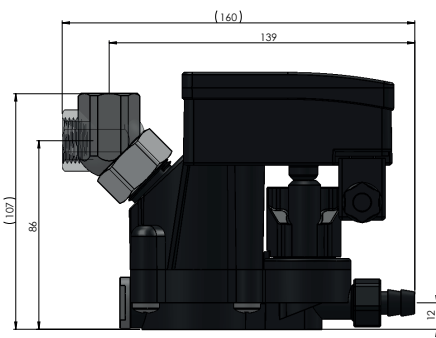
• Easy-lock connection



• Hose holder with flow limiter



• Integrated filter to collect contamination



LD101 COMPACT	230 V	115 V	115 V UL	24 V	24 Vdc
Power supply (±10%)	230 V (50/60 Hz)	115 V (50/60 Hz)	115 V (50/60 Hz)	24 V (50/60 Hz)	24 V dc
Power (during drainage)	10 VA				
Alarm contact	Contact NC/NO: 240V Ac max - 1A / 30V Dc max - 1A				
Working pressure	0,2-16 bar				
Working temperature	+1/+60 °C				
Protection class	IP65 (with connector and correctly assembled basket)				
Electric connection	EN 175301-803 Type B (ex DIN 43650) (Supplied)				
Alarm connection	M12 Code A 4 Poles (Not supplied)				
Nominal flow (m ³ /min) (1)	6,3				
Nominal drain (lt/h)	3,3				
Maximum drain (lt/h)	10				
Maximum compressor capacity (m ³ /min)	6,3				
Maximum dryer capacity (m ³ /min)	12,6				
Maximum filter capacity (m ³ /min)	63				
Inlet	1 x G1/2"F	1 x G1/2"F NPT	1 x G1/2"F		
Outlet (with flow limiter)	1 x ø12				
Weight (kg)	0,5				
Receiver volume (l)	0,08				
Certificates	CE		CE + UL	CE	
Code	15-232	15-231	15-235	15-233	15-234

(1) = Data refer to 1000 mbar(a), 20° C and 60% relative humidity. Operating pressure 7 bar and outlet temperature of the aftercooler 35° C.

LD101



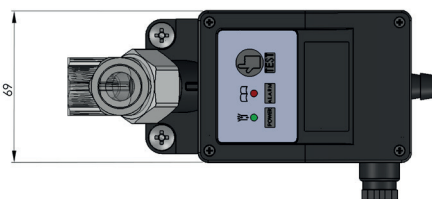
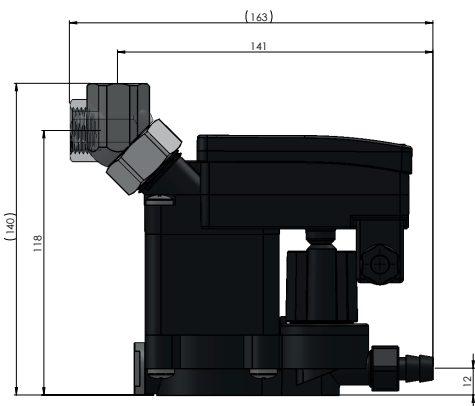
- Easy-lock connection



- Hose holder with flow limiter



- Integrated filter to collect contamination



LD101	230 V	115 V	115 V UL	24 V	24 Vdc
Power supply ($\pm 10\%$)	230 V (50/60 Hz)	115 V (50/60 Hz)	115 V (50/60 Hz)	24 V (50/60 Hz)	24 V dc
Power (during drainage)	10 VA				
Alarm contact	Contact NC/NO: 240V Ac max - 1A / 30V Dc max - 1A				
Working pressure	0,2-16 bar				
Working temperature	+1/+60 °C				
Protection class	IP65 (with connector and correctly assembled basket)				
Electric connection	EN 175301-803 Type B (ex DIN 43650) (Supplied)				
Alarm connection	M12 Code A 4 Poles (Not supplied)				
Nominal flow (m^3/min) (1)	7,5				
Nominal drain (lt/h)	5				
Maximum drain (lt/h)	15				
Maximum compressor capacity (m^3/min)	7,5				
Maximum dryer capacity (m^3/min)	15				
Maximum filter capacity (m^3/min)	75				
Inlet	1 x G1/2" F	1 x G1/2" F NPT		1 x G1/2" F	
Outlet (with flow limiter)	1 x $\varnothing 12$				
Weight (kg)	0,6				
Receiver volume (l)	0,09				
Certificates	CE		CE + UL	CE	
Code	15-252	15-251	15-255	15-253	15-254

(1) = Data refer to 1000 mbar(a), 20° C and 60% relative humidity. Operating pressure 7 bar and outlet temperature of the aftercooler 35° C.

LD101L



• Hose holder with flow limiter



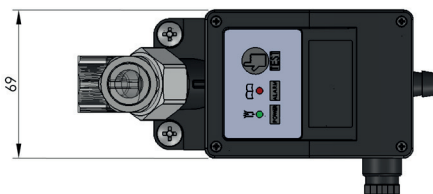
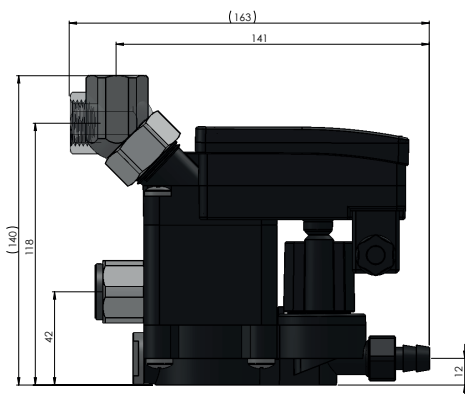
• Easy-lock connection



• Secondary inlet



• Integrated filter to collect contamination



LD101L	230 V	115 V	115 V UL	24 V	24 Vdc
Power supply (±10%)	230 V (50/60 Hz)	115 V (50/60 Hz)	115 V (50/60 Hz)	24 V (50/60 Hz)	24 V dc
Power (during drainage)	10 VA				
Alarm contact	Contact NC/NO: 240V Ac max - 1A / 30V Dc max - 1A				
Working pressure	0,2-16 bar				
Working temperature	+1/+60 °C				
Protection class	IP65 (with connector and correctly assembled basket)				
Electric connection	EN 175301-803 Type B (ex DIN 43650) (Supplied)				
Alarm connection	M12 Code A 4 Poles (Not supplied)				
Nominal flow (m ³ /min) (1)	7,5				
Nominal drain (lt/h)	5				
Maximum drain (lt/h)	15				
Maximum compressor capacity (m ³ /min)	7,5				
Maximum dryer capacity (m ³ /min)	15				
Maximum filter capacity (m ³ /min)	75				
Inlet	1 x G1/2"F + 1 x G3/4"M - G1/2"F (2)				
Outlet (with flow limiter)	1 x ø12				
Weight (kg)	0,6				
Receiver volume (l)	0,09				
Certificates	CE		CE + UL	CE	
Code	15-272	15-271	15-275	15-273	15-274

(1) = Data refer to 1000 mbar(a), 20° C and 60% relative humidity. Operating pressure 7 bar and outlet temperature of the aftercooler 35° C.
 (2) = For NPT version, minimum purchase lots are required. Get in touch with the Customer Service.

LD200



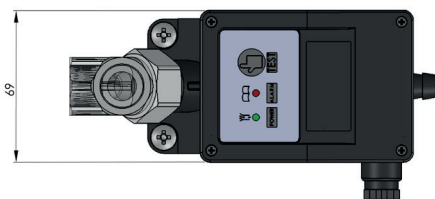
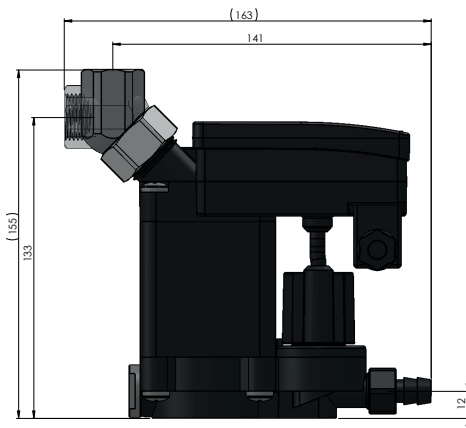
- Easy-lock connection



- Hose holder with flow limiter



- Integrated filter to collect contamination



LD200	230 V	115 V	115 V UL	24 V	24 Vdc
Power supply (±10%)	230 V (50/60 Hz)	115 V (50/60 Hz)	115 V (50/60 Hz)	24 V (50/60 Hz)	24 V dc
Power (during drainage)	10 VA				
Alarm contact	Contact NC/NO: 240V Ac max - 1A / 30V Dc max - 1A				
Working pressure	0,2-16 bar				
Working temperature	+1/+60 °C				
Protection class	IP65 (with connector and correctly assembled basket)				
Electric connection	EN 175301-803 Type B (ex DIN 43650) (Supplied)				
Alarm connection	M12 Code A 4 Poles (Not supplied)				
Nominal flow (m ³ /min) (1)	15				
Nominal drain (lt/h)	10				
Maximum drain (lt/h)	20				
Maximum compressor capacity (m ³ /min)	15				
Maximum dryer capacity (m ³ /min)	30				
Maximum filter capacity (m ³ /min)	150				
Inlet	1 x G1/2"F	1 x G1/2"F NPT	1 x G1/2"F		
Outlet (with flow limiter)	1 x ø12				
Weight (kg)	0,7				
Receiver volume (l)	0,11				
Certificates	CE		CE + UL	CE	
Code	15-352	15-351	15-355	15-353	15-354

(1) = Data refer to 1000 mbar(a), 20° C and 60% relative humidity. Operating pressure 7 bar and outlet temperature of the aftercooler 35° C.

LD200L



SMART LD200S

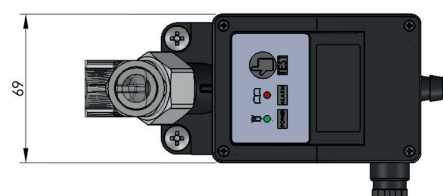
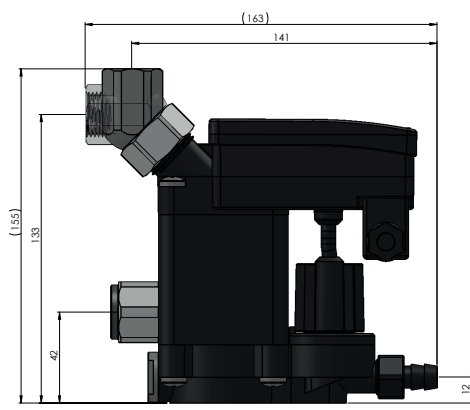
• Hose holder with flow limiter

• Easy-lock connection

• Secondary inlet



• Integrated filter to collect contamination



LD200L	230 V	115 V	115 V UL	24 V	24 Vdc	24 Vdc
Power supply ($\pm 10\%$)	230 V (50/60 Hz)	115 V (50/60 Hz)	115 V (50/60 Hz)	24 V (50/60 Hz)	24 V dc	24 V (50/60 Hz)
Power (during drainage)	10 VA					3 VA
Alarm contact	Contact NC/NO: 240V Ac max - 1A / 30V Dc max - 1A					/
Working pressure	0,2-16 bar					0,2-16 bar
Working temperature	+1/+60 °C					+1/+60 °C
Protection class	IP65 (with connector and correctly assembled basket)					IP65 (with connector and correctly assembled basket)
Electric connection	EN 175301-803 Type B (ex DIN 43650) (Supplied)					M12 Code A 5 Poles (Not supplied)
Alarm connection	M12 Code A 4 Poles (Not supplied)					/
Nominal flow (m ³ /min) (1)	15					15
Nominal drain (lt/h)	10					10
Maximum drain (lt/h)	20					20
Maximum compressor capacity (m ³ /min)	15					15
Maximum dryer capacity (m ³ /min)	30					30
Maximum filter capacity (m ³ /min)	150					150
Inlet	1 x G1/2"F + 1 x G3/4"M - G1/2"F (**)					1 x G1/2"F + 1 x G3/4"M - G1/2"F (2)
Outlet (with flow limiter)	1 x $\varnothing 12$					1 x $\varnothing 12$
Weight (kg)	0,7					0,7
Receiver volume (l)	0,11					0,11
Certificates	CE		CE + UL	CE		CE
Code	15-372	15-371	15-375	15-373	15-374	15-390

(1) = Data refer to 1000 mbar(a), 20° C and 60% relative humidity. Operating pressure 7 bar and outlet temperature of the aftercooler 35° C.

(2) = For NPT version, minimum purchase lots are required. Get in touch with the Customer Service.

LD202



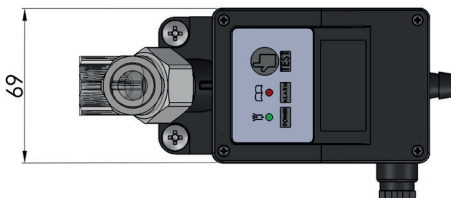
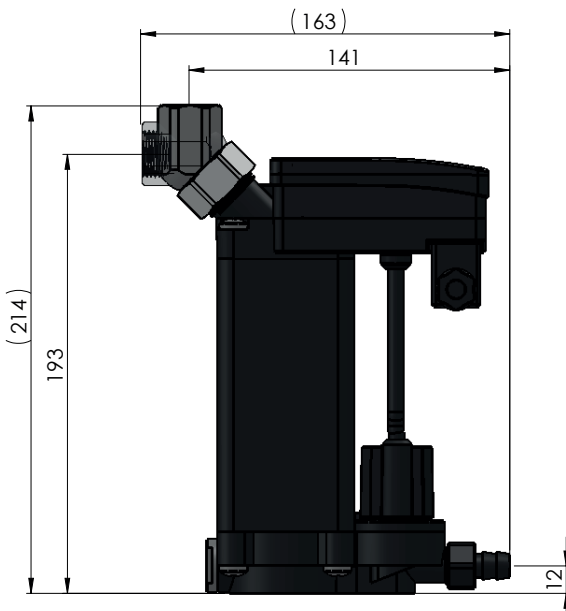
- Easy-lock connection



- Hose holder with flow limiter



- Integrated filter to collect contamination



LD202	230 V	115 V	115V UL	24 V	24 Vdc
Power supply (±10%)	230 V (50/60 Hz)	115 V (50/60 Hz)	115 V (50/60 Hz)	24 V (50/60 Hz)	24 V dc
Power (during drainage)	10 VA				
Alarm contact	Contact NC/NO: 240V Ac max - 1A / 30V Dc max - 1A				
Working pressure	0,2-16 bar				
Working temperature	+1/+60 °C				
Protection class	IP65 (with connector and correctly assembled basket)				
Electric connection	EN 175301-803 Type B (ex DIN 43650) (Supplied)				
Alarm connection	M12 Code A 4 Poles (Not supplied)				
Nominal flow (m ³ /min) (1)	30				
Nominal drain (lt/h)	20				
Maximum drain (lt/h)	35				
Maximum compressor capacity (m ³ /min)	30				
Maximum dryer capacity (m ³ /min)	60				
Maximum filter capacity (m ³ /min)	300				
Inlet	1 x G1/2" F	1 x G1/2" F NPT	1 x G1/2" F		
Outlet (with flow limiter)	1 x ø12				
Weight (kg)	1,2				
Receiver volume (l)	0,22				
Certificates	CE		CE + UL	CE	
Code	15-452	15-451	15-455	15-453	15-454

(1) = Data refer to 1000 mbar(a), 20° C and 60% relative humidity. Operating pressure 7 bar and outlet temperature of the aftercooler 35° C.

LD202L



• Hose holder with flow limiter



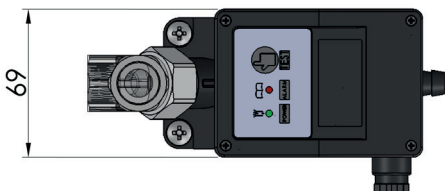
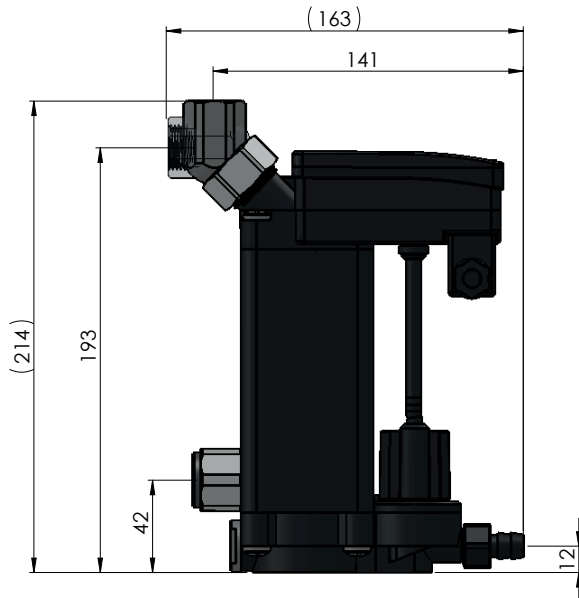
• Easy-lock connection



• Secondary inlet



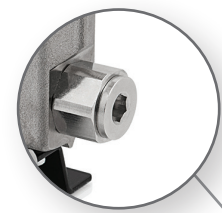
• Integrated filter to collect contamination



LD202L	230 V	115 V	115V UL	24 V	24 Vdc
Power supply (±10%)	230 V (50/60 Hz)	115 V (50/60 Hz)	115 V (50/60 Hz)	24 V (50/60 Hz)	24 V dc
Power (during drainage)	10 VA				
Alarm contact	Contact NC/NO: 240V Ac max - 1A / 30V Dc max - 1A				
Working pressure	0,2-16 bar				
Working temperature	+1/+60 °C				
Protection class	IP65 (with connector and correctly assembled basket)				
Electric connection	EN 175301-803 Type B (ex DIN 43650) (Supplied)				
Alarm connection	M12 Code A 4 Poles (Not supplied)				
Nominal flow (m ³ /min) (1)	30				
Nominal drain (lt/h)	20				
Maximum drain (lt/h)	35				
Maximum compressor capacity (m ³ /min)	30				
Maximum dryer capacity (m ³ /min)	60				
Maximum filter capacity (m ³ /min)	300				
Inlet	1 x G1/2"F + 1 x G3/4"M - G1/2"F (2)				
Outlet (with flow limiter)	1 x ø12				
Weight (kg)	1,2				
Receiver volume (l)	0,22				
Certificates	CE		CE + UL	CE	
Code	15-472	15-471	15-475	15-473	15-474

(1) = Data refer to 1000 mbar(a), 20° C and 60% relative humidity. Operating pressure 7 bar and outlet temperature of the aftercooler 35° C.
 (2) = For NPT version, minimum purchase lots are required. Get in touch with the Customer Service.

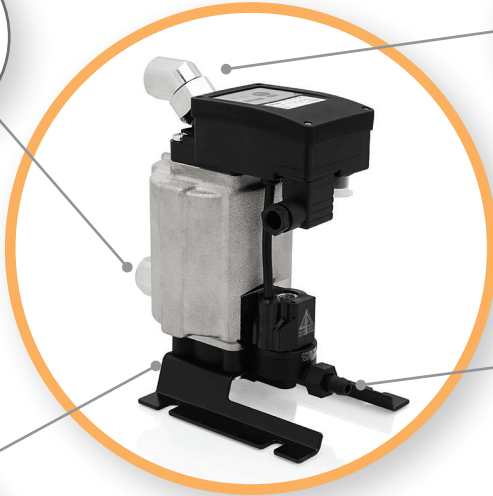
LD203



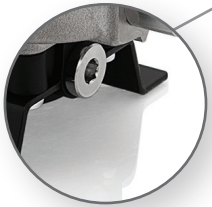
• Secondary inlet



• Easy-lock connection



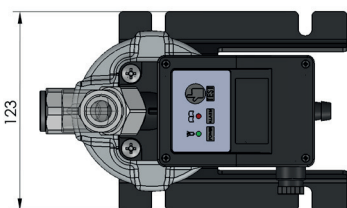
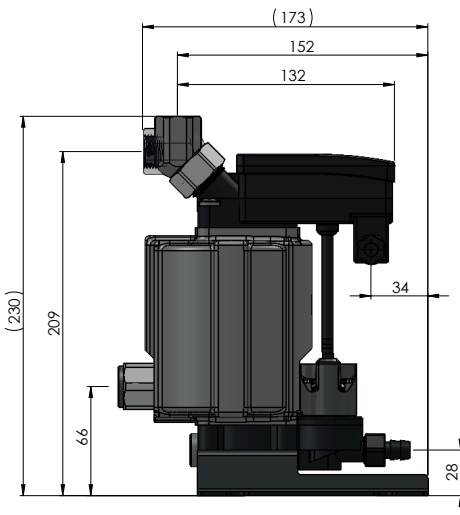
• Hose holder with flow limiter



• Integrated filter to collect contamination



SMART LD203S

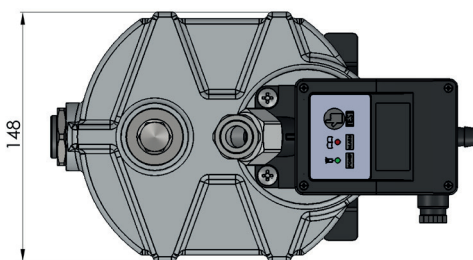
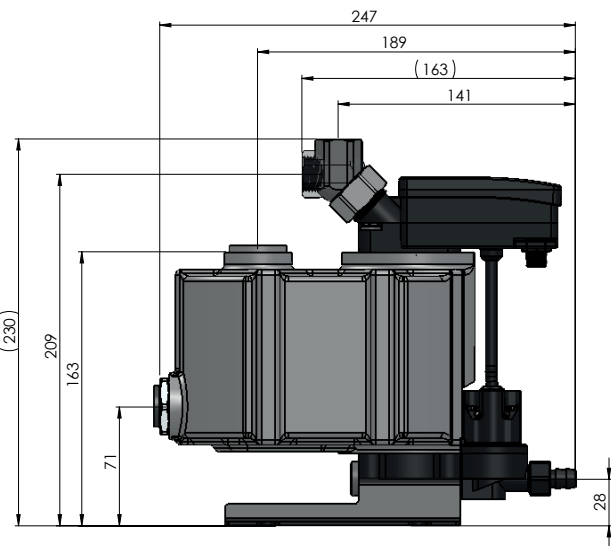
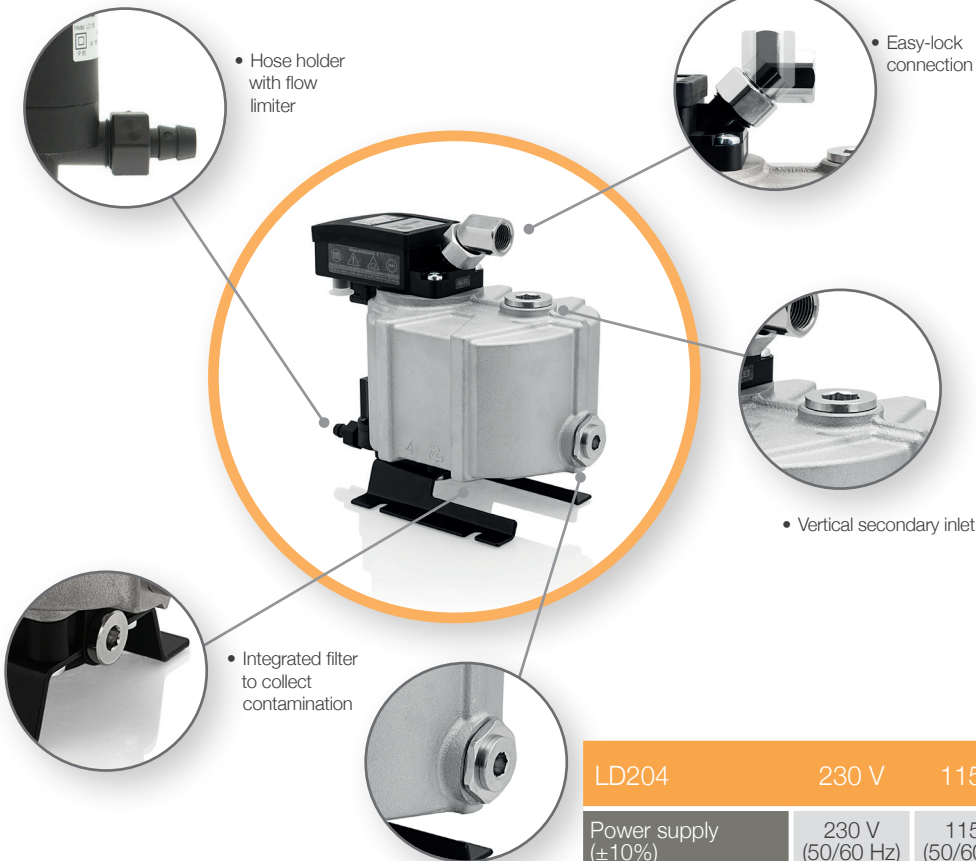


LD203	230 V	115 V	115 V UL	24 V	24 Vdc	24 Vdc
Power supply ($\pm 10\%$)	230 V (50/60 Hz)	115 V (50/60 Hz)	115 V (50/60 Hz)	24 V (50/60 Hz)	24 V dc	24 V (50/60 Hz)
Power (during drainage)	10 VA					3 VA
Alarm contact	Contact NC/NO: 240V Ac max - 1A / 30V Dc max - 1A					/
Working pressure	0,2-16 bar					0,2-16 bar
Working temperature	+1/+60 °C					+1/+60 °C
Protection class	IP65 (with connector and correctly assembled basket)					IP65 (with connector and correctly assembled basket)
Electric connection	EN 175301-803 Type B (ex DIN 43650) (Supplied)					M12 Code A 5 Poles (Not supplied)
Alarm connection	M12 Code A 4 Poles (Not supplied)					/
Nominal flow (m ³ /min) (1)	160					160
Nominal drain (lt/h)	90					90
Maximum drain (lt/h)	150					150
Maximum compressor capacity (m ³ /min)	160					160
Maximum dryer capacity (m ³ /min)	320					320
Maximum filter capacity (m ³ /min)	1600					1600
Inlet	1 x G1/2"F + 1 x G3/4"M - G1/2"F (2)					1 x G1/2"F + 1 x G3/4"M - G1/2"F (2)
Outlet (with flow limiter)	1 x $\varnothing 12$					1 x $\varnothing 12$
Weight (kg)	1,8					
Receiver volume (l)	0,5					0,11
Certificates	CE		CE + UL	CE		CE
Code	15-552	15-551	15-555	15-553	15-554	

(1) = Data refer to 1000 mbar(a), 20° C and 60% relative humidity. Operating pressure 7 bar and outlet temperature of the after-cooler 35° C.

(2) = For NPT version, minimum purchase lots are required. Get in touch with the Customer Service.

LD204



LD204	230 V	115 V	115 V UL	24 V	24 Vdc
Power supply (±10%)	230 V (50/60 Hz)	115 V (50/60 Hz)	115 V (50/60 Hz)	24 V (50/60 Hz)	24 V dc
Power (during drainage)	10 VA				
Alarm contact	Contact NC/NO: 240V Ac max - 1A / 30V Dc max - 1A				
Working pressure	0,2-16 bar				
Working temperature	+1/+60 °C				
Protection class	IP65 (with connector and correctly assembled basket)				
Electric connection	EN 175301-803 Type B (ex DIN 43650) (Supplied)				
Alarm connection	M12 Code A 4 Poles (Not supplied)				
Nominal flow (m ³ /min) (1)	300				
Nominal drain (lt/h)	200				
Maximum drain (lt/h)	>350				
Maximum compressor capacity (m ³ /min)	300				
Maximum dryer capacity (m ³ /min)	600				
Maximum filter capacity (m ³ /min)	3000				
Inlet	2 x G1/2" F + 1 x G3/4" F				
Outlet (with flow limiter)	1 x ø12				
Weight (kg)	3,45				
Receiver volume (l)	1,5				
Certificates	CE		CE + UL	CE	
Code	15-652	15-651	15-655	15-653	15-654

(1) = Data refer to 1000 mbar(a), 20° C and 60% relative humidity. Operating pressure 7 bar and outlet temperature of the aftercooler 35° C.

AUTODRAIN

Compact design,
adjustable for very low
points of the plant.

Self-calibrating
discharge timing.

Optimal price-
performance ratio.

Integrated filter
to collect contamination.

FKM (fluoroelastomer)
diaphragm.

Automatic self-calibrating condensate drain

AutoDrain is an automatic drain able to discharge condensation cyclically.

AutoDrain has a built-in timed electronic circuit, a condensation sensor and an assisted-drive solenoid valve, which opens at preestablished intervals. The opening time varies according to the actual quantity of condensation at the installation point. This allows to limit compressed air waste to a minimum.

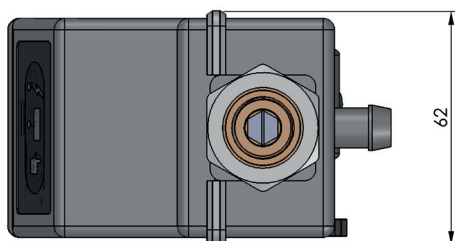
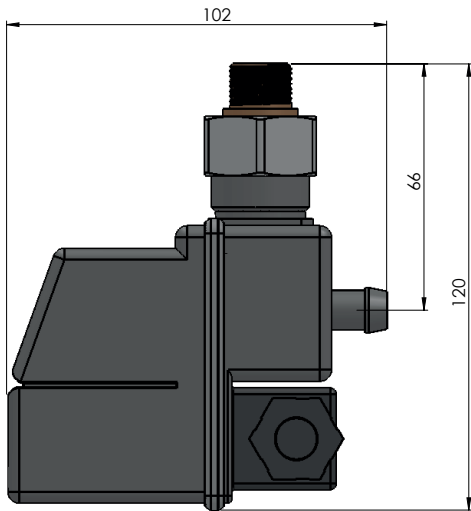
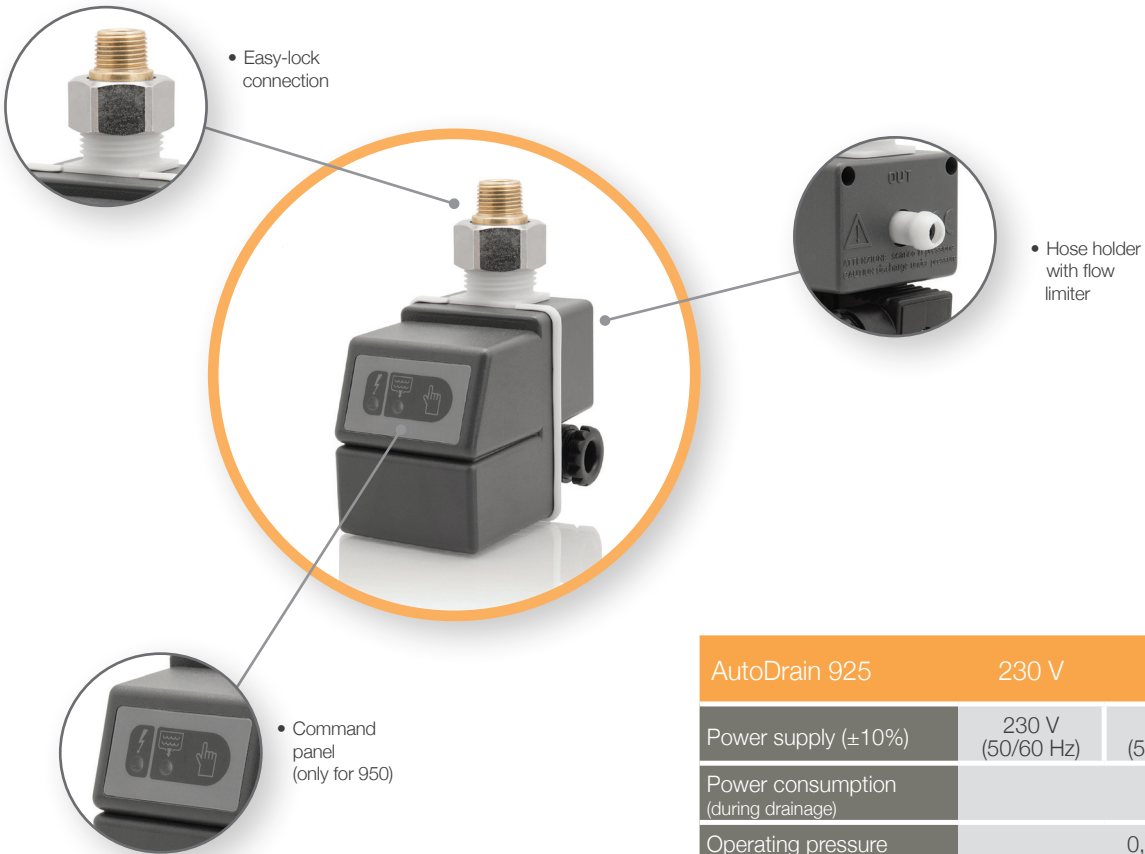
AutoDrain does not require setting waiting and discharge times since the product is totally self-calibrating. The front control panel (version 950) contains two LEDs displaying power supply and drain state. A button permits to control the drain manually.

AutoDrain is extremely small and can be installed at any position and anywhere in a compressed air installation.

To make its installation easier **AutoDrain** includes an industrial connector (ex DIN 43650) for power supply and an Easy Lock three-part fitting for pneumatic connection.

AutoDrain 925	230 V	115 V	24 V ac/dc
Power supply ($\pm 10\%$)	230 V (50/60 Hz)	115 V (50/60 Hz)	24 Vac/dc
Power consumption (during drainage)	10 VA		
Operating pressure	0,2-16 bar		
Operating temperature	+1/+60 °C		
Protection class	IP65 (with connector and correctly assembled basket)		
Electrical connection	EN 175301-803 Type A (ex DIN 43650) (Supplied)		
Nominal flow rate (m ³ /in) (1)	60		
Niminal discharge (lt/h)	40		
Maximum discharge (lt/h)	70		
Maximum compressor capacity (m ³ /min)	60		
Maximum dryer capacity (m ³ /min)	120		
Maximum filter capacity (m ³ /min)	600		
Inlet connection	1 x R3/8" M		
Outlet connection (with flow limiter)	ø10 mm		
Weight (kg)	0,215		
Certificates	n/a		
Code	35-823	35-822	35-821

(1) = Data refer to 1000 mbar(a), 20° C and 60% relative humidity. Operating pressure 7 bar and outlet temperature of the aftercooler 35° C.



AutoDrain 925	230 V	115 V	24 V ac/dc
Power supply ($\pm 10\%$)	230 V (50/60 Hz)	115 V (50/60 Hz)	24 V ac/dc
Power consumption (during drainage)	10 VA		
Operating pressure	0,2-16 bar		
Operating temperature	+1/+60 °C		
Protection class	IP65 (with connector and correctly assembled basket)		
Electrical connection	EN 175301-803 Type A (ex DIN 43650) (Supplied)		
Nominal flow rate (m ³ /in) (1)	60		
Niminal discharge (lt/h)	40		
Maximum discharge (lt/h)	70		
Maximum compressor capacity (m ³ /min)	60		
Maximum dryer capacity (m ³ /min)	120		
Maximum filter capacity (m ³ /min)	600		
Inlet connection	1 x R3/8" M		
Outlet connection (with flow limiter)	ø10 mm		
Weight (kg)	0,215		
Certificates	n/a		
Code	35-843	35-842	35-841

(1) = Data refer to 1000 mbar(a), 20° C and 60% relative humidity. Operating pressure 7 bar and outlet temperature of the aftercooler 35° C.

TIME DRAIN

Compact design,
minimal space required.

Precise and intuitive
programming.

Optimal price-
performance ratio.

Integrated filter to collect
contamination.

FKM (fluoroelastomer)
diaphragm).

Timed condensate drain

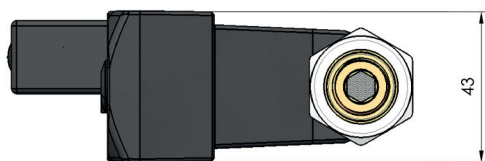
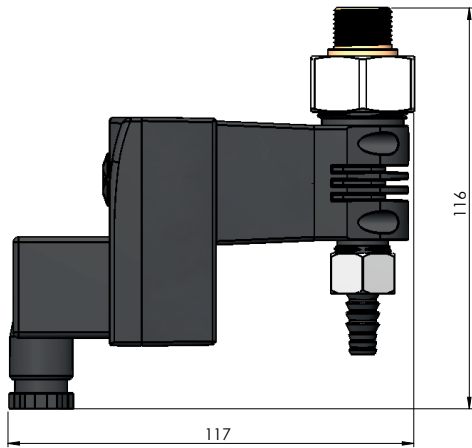
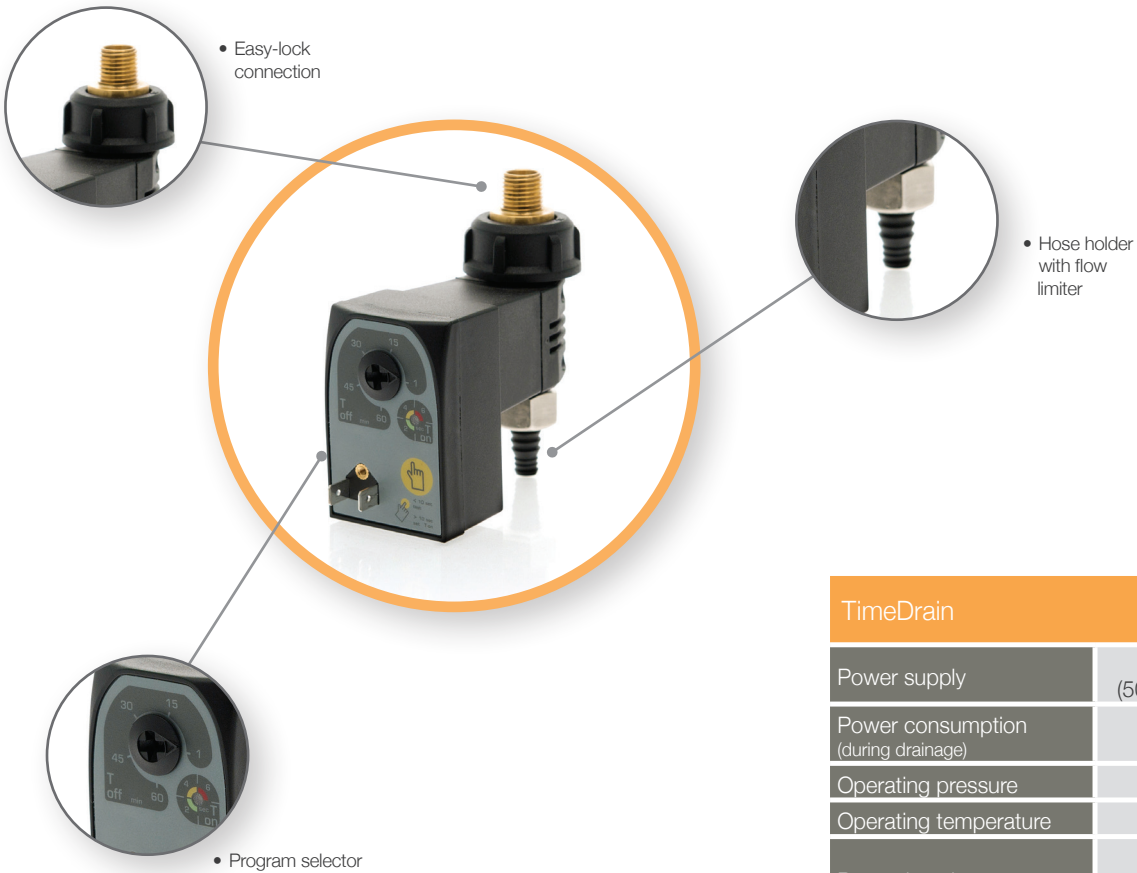
TimeDrain is an automatic drain system capable of removing cyclically condensate water. TimeDrain integrates a digital timer and a servo-controlled solenoid valve, which is periodically opened according to T-on and T-off times planned by using its control panel.

TimeDrain makes time regulation extremely precise thanks to its selector with eight different sectors which enables the choice among eight different pause times (T-Off) and a button for setting three drainage levels (T-on). The same button has a double testing function, useful to check if the drainage system works correctly.

TimeDrain has a really small size and it can be installed in each kind of position and at each point of the compressed air plant.

In order to make the installation much easier **TimeDrain** is equipped with a DIN 43650 plug for connecting to the power supply and an Easy-Lock connection inlet for connecting to the pneumatic system.





TimeDrain	230 V	115 V
Power supply	230 V (50/60 Hz)	115 V (50/60 Hz)
Power consumption (during drainage)	10 VA	
Operating pressure	0,2-16 bar	
Operating temperature	+1/+60 °C	
Protection class	IP65 (with connector and correctly assembled gasket)	
Electrical connection	EN 175301-803 Type B (ex DIN 43650) (Supplied)	
Nominal flow rate (m ³ /min) (1)	60	
Nominal discharge (lt/h)	40	
Maximum discharge (lt/h)	40	
Maximum compressor capacity (m ³ /min)	60	
Maximum dryer capacity (m ³ /min)	120	
Maximum filter capacity (m ³ /min)	600	
Inlet connection	1 x R3/8" M	
Outlet connection (with flow limiter)	ø10 mm	
Weight (kg)	0,18	
Certificates	n/a	
Code	45-885	45-886

(1) = Data refer to 1000 mbar(a), 20° C and 60% relative humidity. Operating pressure 7 bar and outlet temperature of the aftercooler 35° C.

condensate drains SCB

Climate areas and technical specifications



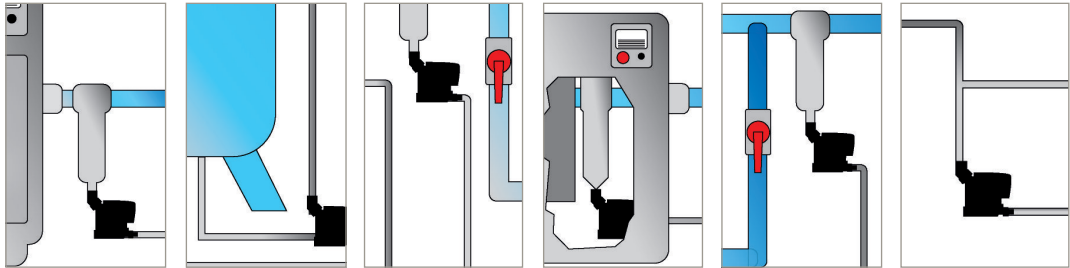
	LogiDrain							TimeDrain	AutoDrain
	LD100	LD101 COMPACT	LD101(L)	LD200(L)	LD202(L)	LD203	LD204	TD	AD 925 (950)
Compressor capacity m ³ /min	3,6	7,6	9	18	36	190	360	70	70
	3	6,3	7,5	15	30	160	300	60	60
	1,8	3,8	4,5	9	18	96	180	35	35
Dryer capacity m ³ /min	7	15	18	36	72	380	720	144	144
	6	13	15	30	60	320	600	120	120
	3,5	7,5	9	18	36	190	360	70	70
Filter capacity m ³ /min	36	76	90	180	360	1900	3600	700	700
	30	63	75	150	300	1600	3000	600	600
	18	38	45	90	180	960	1800	350	350

GREEN FIELDS cold and dry climate: Northern Europe, Canada, North America, Central Asia

BLUE FIELDS moderate climate: Central and Southern Europe, Central America, Northern and Southern Africa and central areas of South America

RED FIELDS hot and humid climate: Southern tropic areas, equatorial areas

Selection Overview

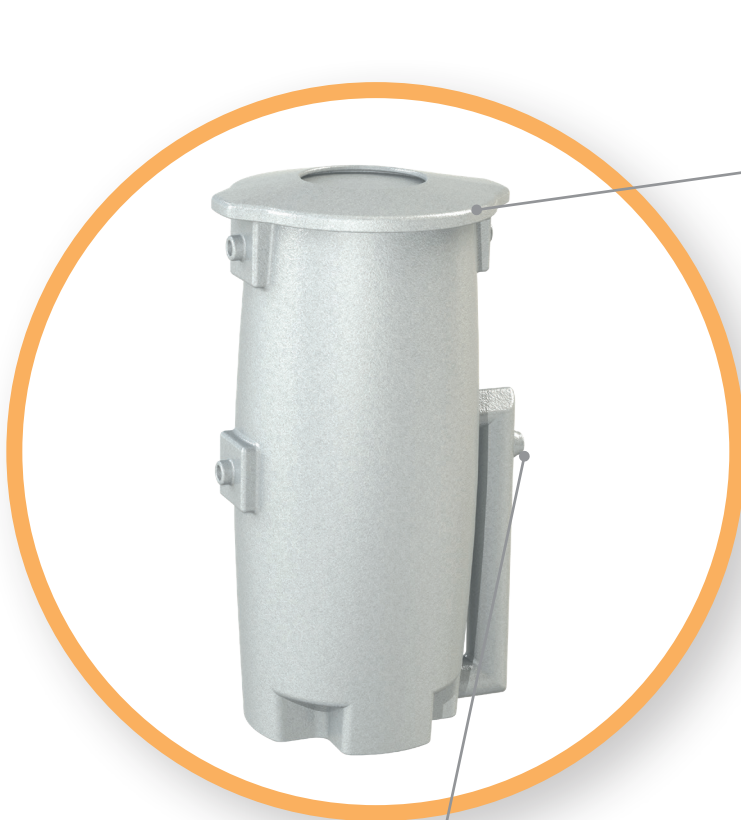


COMPRESSOR PERFORMANCES

COMPRESSOR OUTPUT (KW)	COMPRESSOR DELIVERY VOLUME (m ³ /min)	AFTERCOOLER	TANK	PREFILTER	DRYER	FILTER	PIPELINE
< 15	3	LD100 AD925					
30	6	LD101COMPACT LD101 AD925			LD101COMPACT LD100 AD925		
55	10						
75	15						
110	20	LD200 AD950	LD101L AD950 TD	LD100 AD950 TD	LD101COMPACT LD101 AD950	LD101COMPACT LD100 AD950 TD	
130	25			LD101COMPACT			
145	30						
200	35	LD202 AD950					LD101COMPACT LD100 AD950 TD
250	40				LD200 AD950		
300	60						
355	70						
560	100	LD203	LD200L TD	LD101COMPACT LD101 AD950	LD202	LD101COMPACT LD101 TD	
750	140						
900	175		LD202L TD				
1200	200			LD200 TD	LD203	LD200	
1300	250	LD204	LD203				LD101 LD101COMPACT
1500	300			LD202		LD202	

The specifications contained in this chart refer to a temperate climate (blue) that is dominant in most industrialized areas.

SEPDRAIN

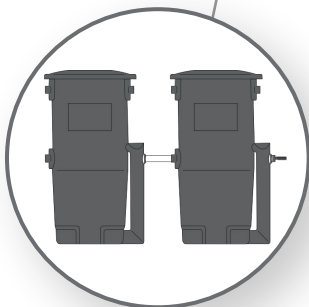


Water /oil separator

SepDrain is suitable to separate oil from condensate into air compressed systems.

SepDrain is the very new condensate separator ready to offer you:

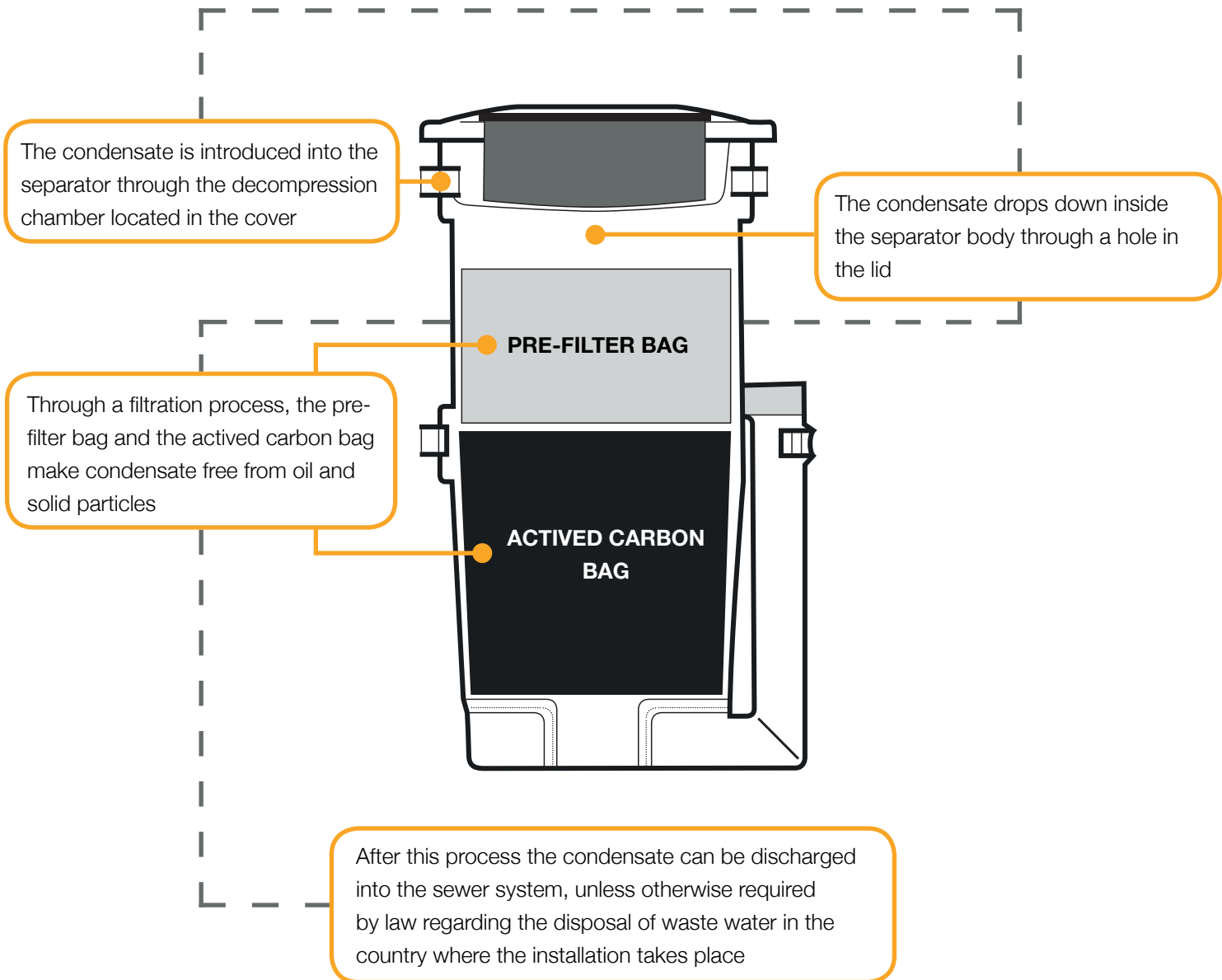
- 100% performance even on new synthetic compressor lubricants
- simplified maintenance
- concentrations of outgoing oil below 10 ppm/l
- saving-space solution
- recycled and eco-friendly materials
- high reliability



• Twin system

Its **Twin System** technology will allow you to double or triple the condensate treatment capacity and reduce the amount of residual contaminant.

SepDrain operation



	Sepdrain 1.7	Sepdrain 2.8	Sepdrain 8.5	Sepdrain 21	Sepdrain 42
Code	65-965	65-961	65-962	65-963	65-964
Nominal flow rate (m ³ /min)	1.7	2.8	8.5	21	42
Connection (BSP-F)	1/4"	1/2"	1/2"	3/4"	3/4"
Dimensions HxD (mm)	220 x 145	460 x 200	600 x 280	930 x 430	930 x 430 (x2)
Weight (Kg)	1	5	11	29	58

HTD

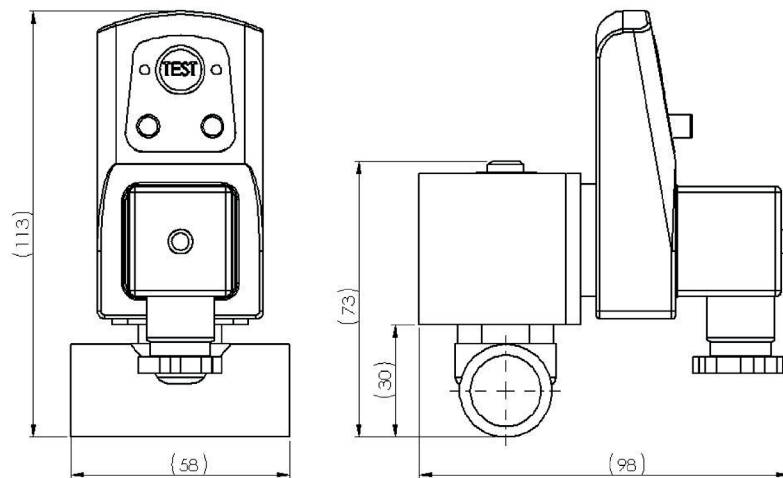
HIGH PRESSURE TIMER DRAIN



Timer-controlled Condensate Drain

- ✓ Compact design
- ✓ Simple to install and fully automatic
- ✓ Two potentiometers to set T-on and T-off to suit any size of devices
- ✓ Two LEDs allow to visualize the operating status
- ✓ Test button to drain the condensate manually and check the valve function
- ✓ NPT connection available for version 115V Ac
- ✓ Supplied with connector plug type A (DIN43650A ISO 440/6952)
- ✓ NC 2/2 way direct acting valve (made in Europe)

Size



The dimensions may vary when using different types of valves.



• Timer Unit

Timer Drain:	HTD30			HTD100			HTD350	
	230V GAS	115V NPT	24Vac GAS	230V GAS	115V NPT	24Vac GAS	230V GAS	115V NPT
SCB p/n	75-983	75-984	75-985	75-991	75-992	75-993	75-995	75-996
Working pressure	30 bar			100 bar			350 bar	400 bar
Valve vent (ø)	1,5 mm			1,2 mm			1 mm	
Kv (a 1 bar)	1,4 lt/min			1 lt/min			0,3 lt/min	
Power	8W		17VA	8W		17W	16W	
IN/OUT connection	Gas ¼"	Npt ¼"	Gas ¼"	Gas ¼"	Npt ¼"	Gas ¼"	Gas ¼"	Npt ¼"
Voltage	230V 50/60 Hz	115V 50/60 Hz	24V 50/60 Hz	230V 50/60 Hz	115V 50/60 Hz	24V 50/60 Hz	230V 50/60 Hz	115V 50/60 Hz
Valve's body material	brass			brass			Inox	Inox
Gaskets	FKM			PTFE			PU	Peek
Timer approval	CE – UL (e488201)							
Valve approval	CE, UL, CSA, VDE						CE - UL	
T-on	Draining time 0,5 to 10 seconds							
T-off	Interval 0,5 to 45 minutes							
Working temperature	+ 1° C / + 60° C							

CTD

COMPACT TIMER DRAIN

Timer-controlled Compact Condensate Drain

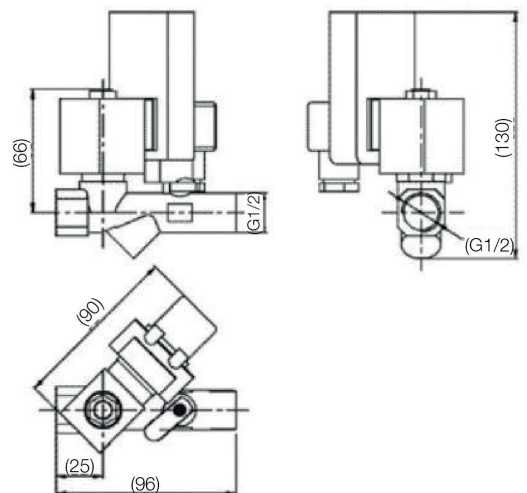
- ✓ Compact design
- ✓ Simple to install and fully automatic
- ✓ Large vent for a reliable discharge
- ✓ Configured with an integrated ball-valve and strainer with double inlet thread (1/2" M and 1/4" F), easy to clean
- ✓ Two potentiometers to set T-on and T-off to suit any size of compressed air devices
- ✓ Two LEDs allow to visualize the operating status
- ✓ Test button to drain the condensate manually and check the valve function
- ✓ NPT connection available for version 115V Ac
- ✓ Supplied with connector plug type A (DIN43650A ISO 440/6952)
- ✓ Supplied with hose holder
- ✓ NC 2/2 way direct acting valve
- ✓ CE approved and UL certified (e488201)
- ✓ Supplied with hose connector



• Timer Unit

Timer Drain	CTD 230V	CTD 115V
SCB p/n	75-971	75-972
Working pressure	0,2 - 16 bar	
Valve vent (ø)	3,5 mm	
Kv (a 1 bar)	4,3 l/min.	
Power	22 VA	
IN/OUT connection	Gas 1/2"	Npt 1/2"
Voltage	230V 50/60 Hz	115V 50/60 Hz
Valve's body material	Brass	
Gaskets	NBR, Viton	
T-on	Draining time 0,5 to 10 seconds	
T-off	Interval 0,5 to 45 minutes	
Working temperature	+ 1° C / + 60° C	

Size

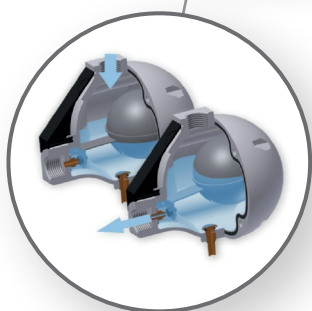


MFD

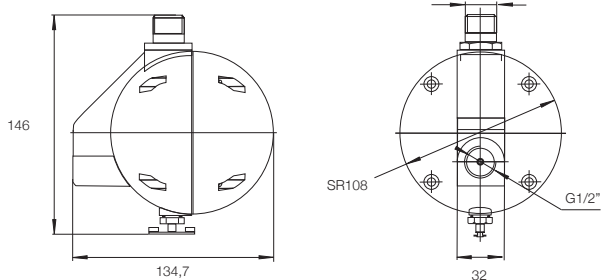
MECHANICAL FLOAT DRAIN

Mechanical Condensate Drain

- ✓ Simple and reliable product
- ✓ Suitable to any air compressed points (air compressor, aftercooler, pressure vessel, dryer, filter)
- ✓ Works with oil-contaminated condensate (unsuitable to oil-free applications)
- ✓ Power connection not required
- ✓ No air loss
- ✓ Simple to install and fully automatic. Requires no configuration or testing
- ✓ ½" female connections
- ✓ Supplied with inlet ½" male adapter fitting
- ✓ Manual exhaust to drain condensate manually and check the valve function
- ✓ Operating pressure up to 16 bar
- ✓ EC (CE) approved



Size

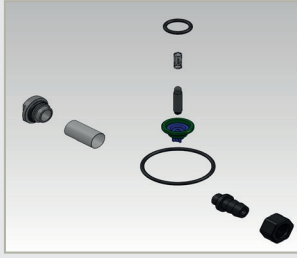


Mechanical Drain	MFD Gas ½"
SCB p/n	85-050
Operating pressure	0,2 to 16 bar (3-232 psi)
Working temperature (°C)	+ 1° C / + 60° C
Valve vent (ø)	2,5 mm
Type of valve	Direct operation, NC
Nominal volume (1)	20000 m³/h
Drain capacity (at 7 bar)	2,8 l/min (167 l/h)
Drain capacity (at 10 bar)	4,2 l/min (250 l/h)
IN/OUT thread	Gas ½"
Tank	Aluminum
Tank volume	0,4 l
Float	Stainless steel
Gaskets	NBR
Plastic coating	PA6
Weight (kg)	0,6
Dimensions (mm)	135x110x130 (without inlet fitting)
Certified	CE

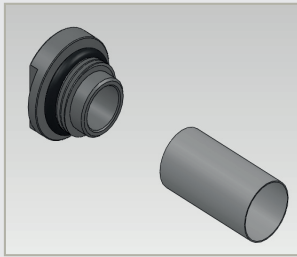
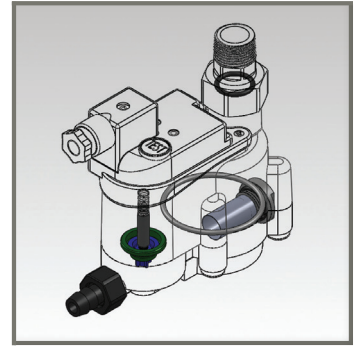
(1): Refer to 1 bar and 20 °C at 7 bar operating pressure, intake air of compressor 25 °C at 60% of relative humidity, 35 °C compressed air temperature.

service kit accessories

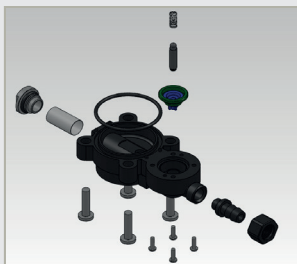
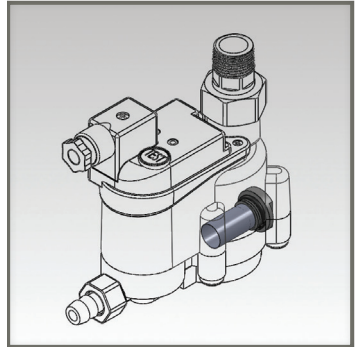
LD100



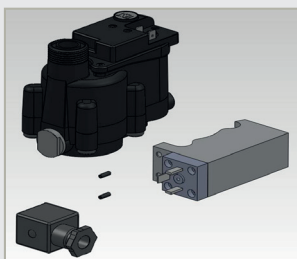
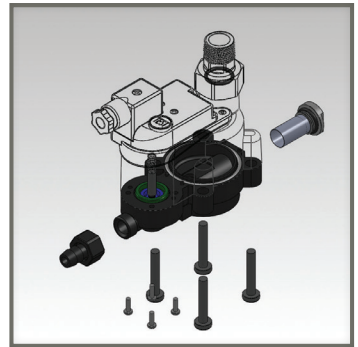
KIT_001
Maintenance kit
with key plug



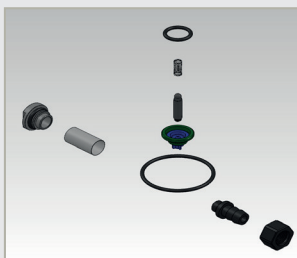
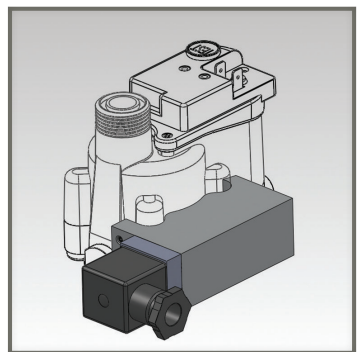
KIT_002
Filter with key plug



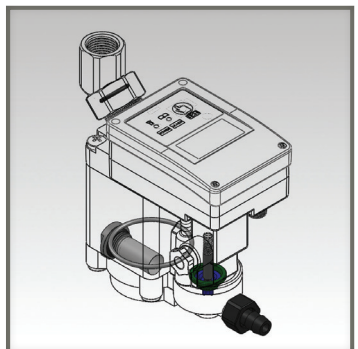
KIT_003
Maintenance kit
valve body
with key plug



C683
Thermo controlled
resistance
for LD100 and
LD101 Compact

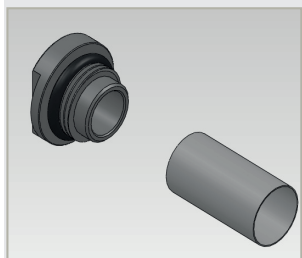


KIT_001
Maintenance kit
with key plug

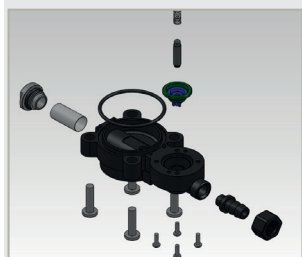
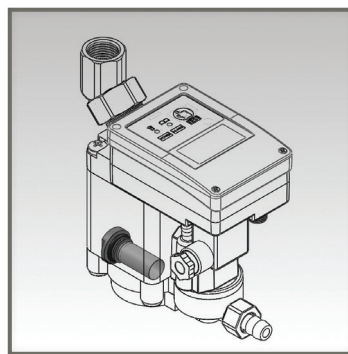


LD101 COMPACT - LD101
LD200 - LD202 - LD101L
LD200L - LD202L

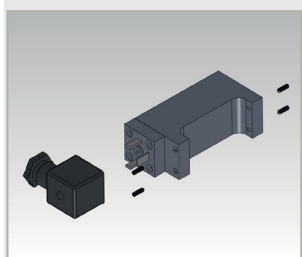
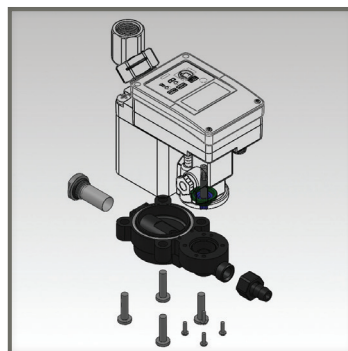
service kit accessories



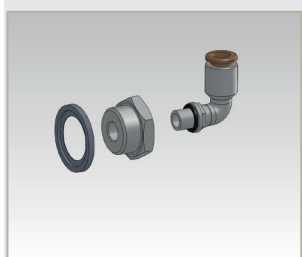
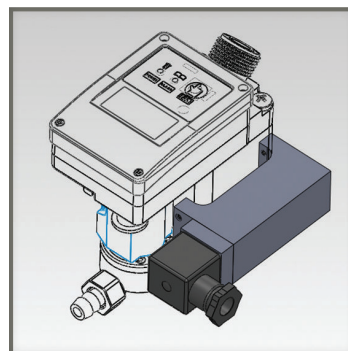
KIT_002
Filter with key plug



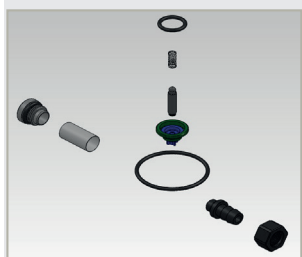
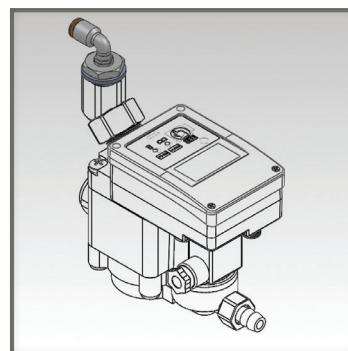
KIT_003
Maintenance kit
valve body
with key plug



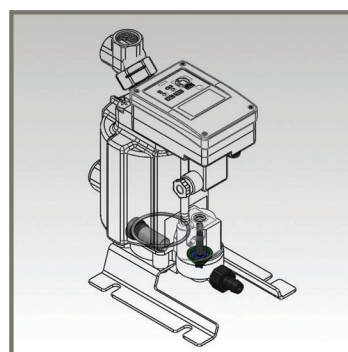
C685
Thermo controlled
resistance



KIT_017
Inlet adapter for
tube of ø 8 mm



KIT_027
Maintenance kit
with HEX socket
plug

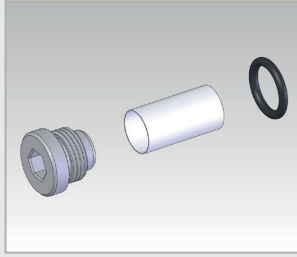


LD101 COMPACT - LD101 - LD200 - LD202 - LD101L - LD200L - LD202L

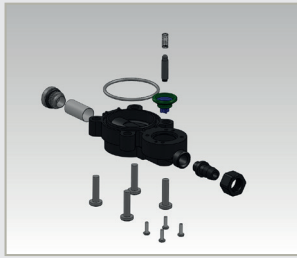
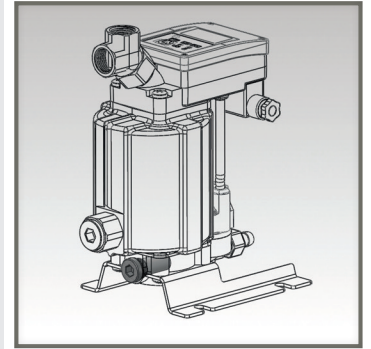
LD203 - LD204

service kit accessories

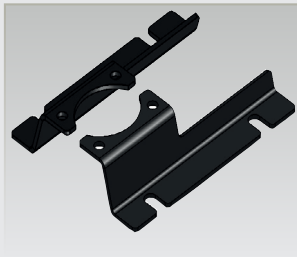
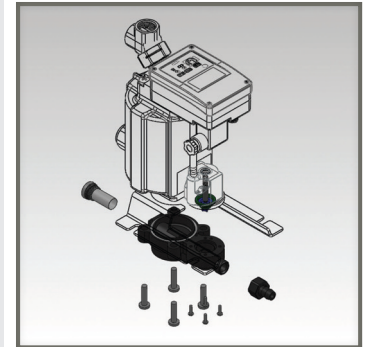
LD203 - LD204



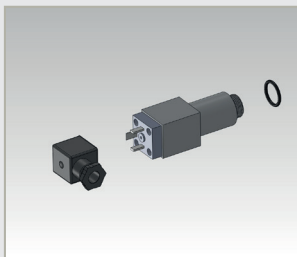
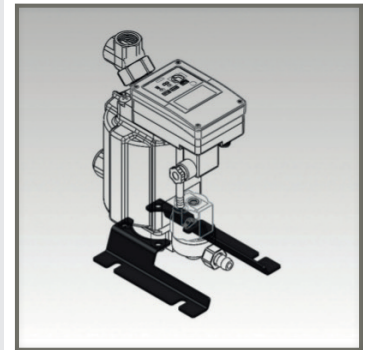
KIT_029
Filter with HEX
socket plug



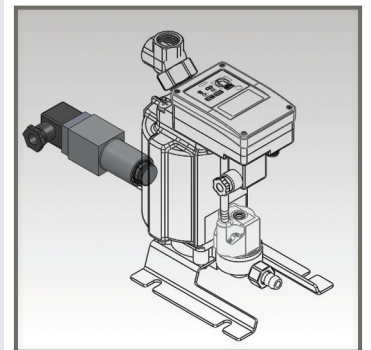
KIT_031
Maintenance kit
valve body with HEX
socket plug



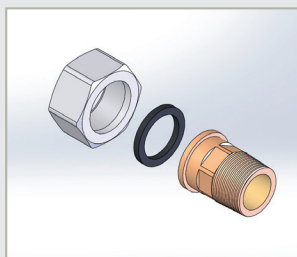
KIT_032
Support brackets



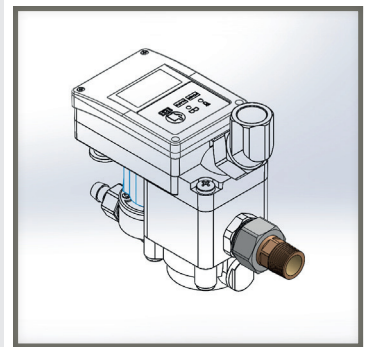
C686
Thermo controlled
resistance
for candlestick



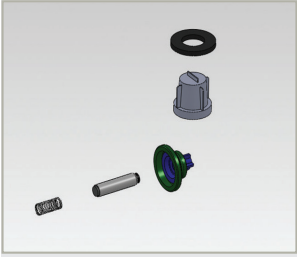
LD101L - LD200L
LD202L - LD203



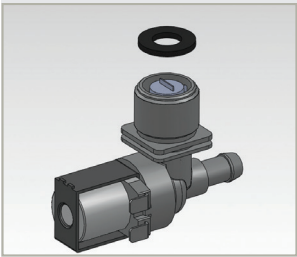
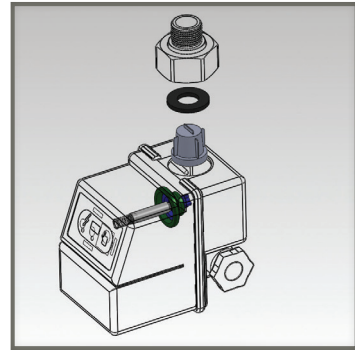
F12
Easy lock connection
R 1/2" M with seal



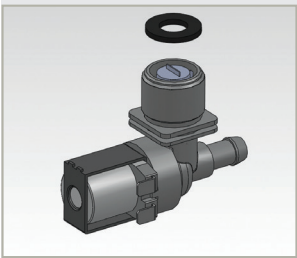
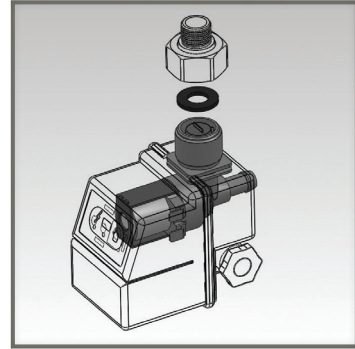
service kit accessories



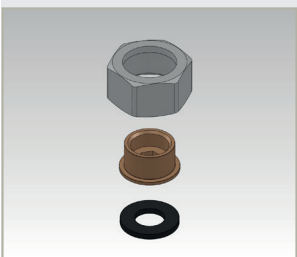
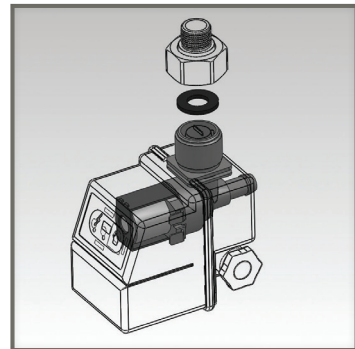
C661
Maintenance kit



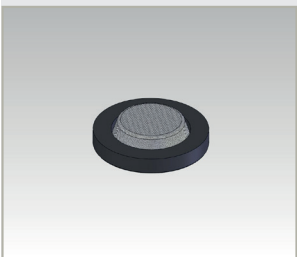
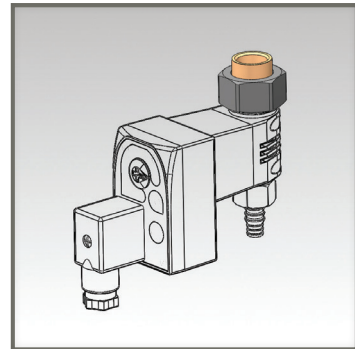
C664
Complete valve body
230V



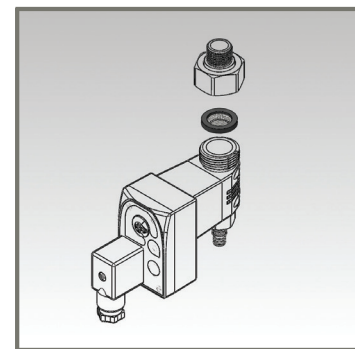
C665
Complete valve body
115V



F38
Easy lock connection
G 3/8" F
with flat seal



KIT_018
Inlet filter

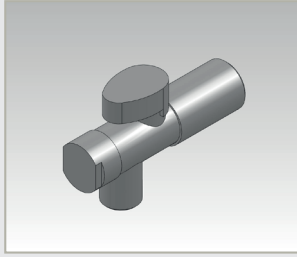


AUTODRAIN

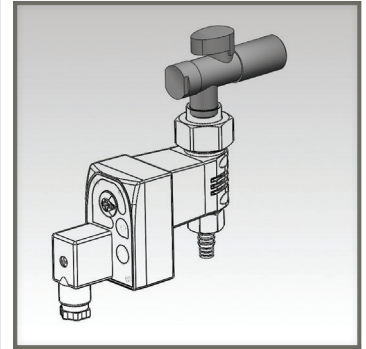
TIMEDRAIN

service kit accessories

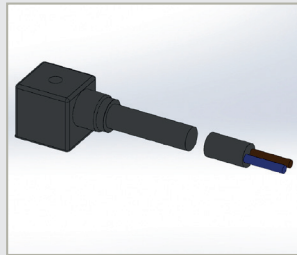
TIMEDRAIN



KIT_022
Tap M 1/2"
with integrated filter
KIT_023
Tap M 3/8"
with integrated filter



CTD - HTD



C715
Power connector with
2 meter cable

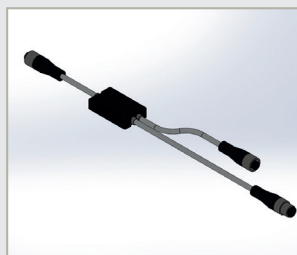
GUARDRAIN



C724
Universal power
connector



C721
Daisy chain 3 meter cable
C722
Daisy chain 5 meter cable
C723
Daisy chain 10 meter cable



C724
Power connector for
GuarDrain with spring

SCB

CONDENSATE
DRAIN[®]
TECHNOLOGIES

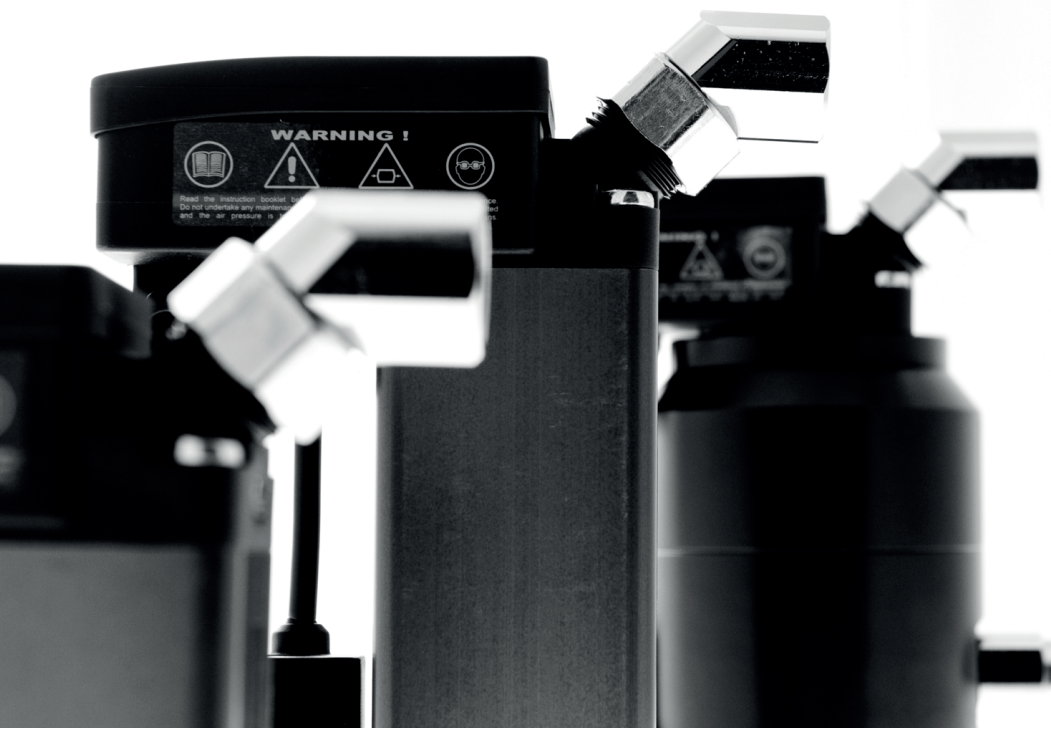
SCB srl

One Person Company

Via Caduti sul Don, 5
12020 Villar San Costanzo (CN) - Italy
VAT number: IT03688460041

Tel. +39 0171 902258
Fax +39 0171 902280

info@scb-italy.com
www.scb-italy.com



Rev. 09 18-03-19